

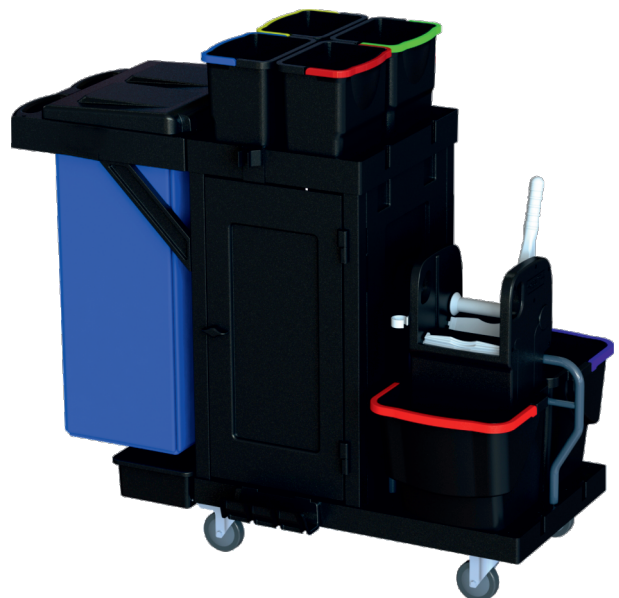
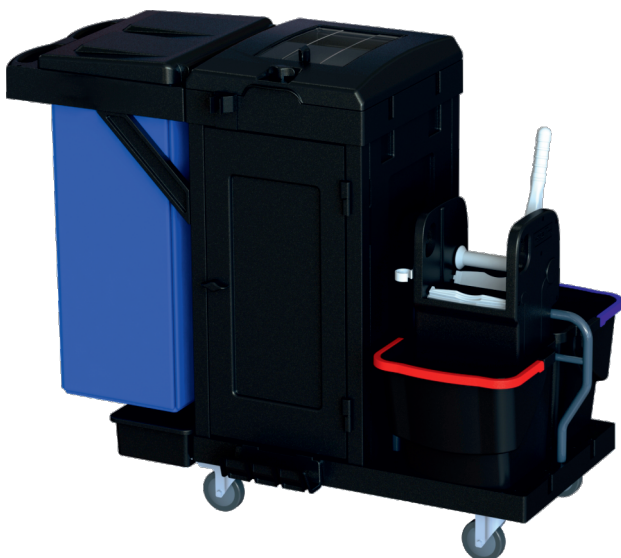
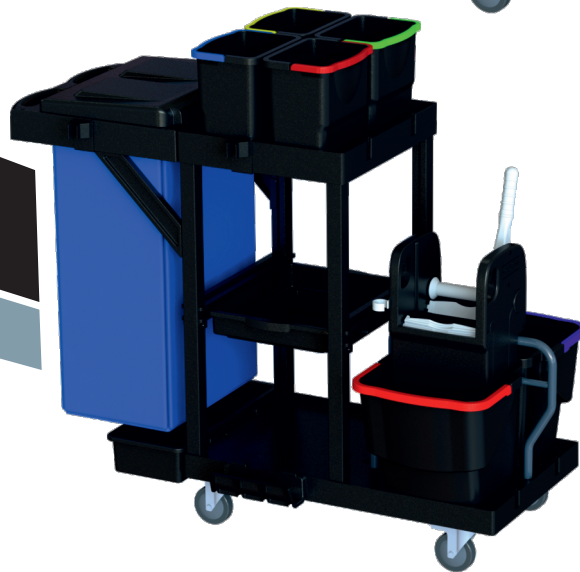
ARCORA®

GERMANY



COLOUR CAN CHANGE

ECOBBLACK
TECHNOLOGY



ARCORA's ECOBLACK TECHNOLOGY is processed with recycled materials into strong and long-lasting frame. Thereby a large amount of CO₂ is saved in comparison with of manufacturing processes with new/original materials. The ECOBLACK series, therefore, is made of 97% recycled materials. These cleaning trolleys convince by robust and user-friendly design.

ECO 45 BLACK 45

item no.: EB45RC
units: 1 Set



- Recycled plastic black durable frame
- 360° rotating, 4 smooth-running wheels
- 2 color-separated 20 liter buckets in black with blue and red handles
- Recycled container press in black
- Side shelf for mop holder
- Cleaning trolley guide handle with holder for aluminum handle



Gross weight: 10,00 kg
Net weight: 8,30 kg

ECO 50 BLACK 50

item no: EB50RC
units: 1 Set



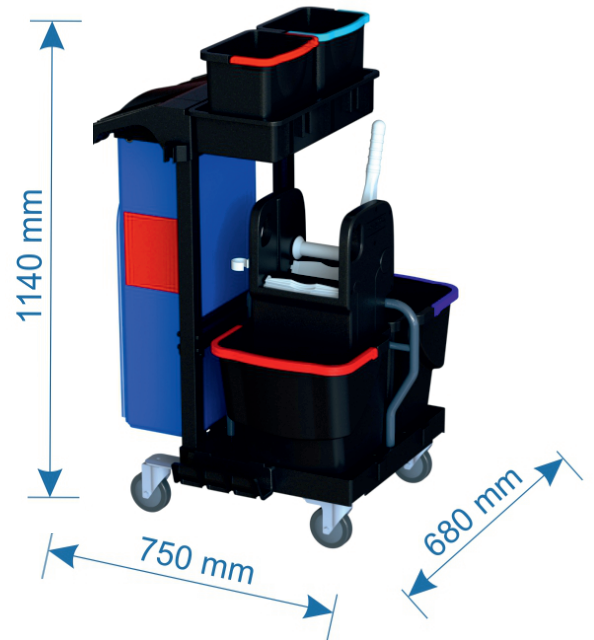
- Black, sturdy recycled polymer frame
- 360° rotating, 4 easy-roll wheels
- 2 color-separated 20 liter buckets in black with handles in blue and red
- 1x 6 liter bucket on the side in black with handle in yellow
- Recycled polymer press in black
- Storage shelf for mop holder on side
- Handle for guiding the cleaning cart with holder for aluminum handle



Gross weight: 11,00 kg
Net weight: 9,00 kg

ECO 100 BLACK 100

item no: EB100RC
units: 1 Set



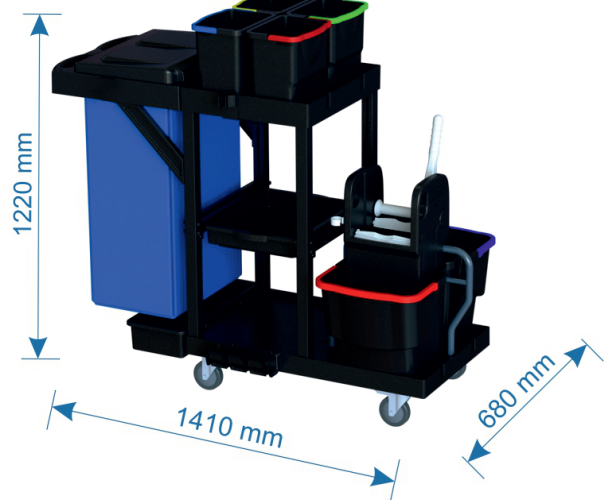
- Black, sturdy recycled polymer frame
- 360° rotating, 4 easy-running wheels
- 2 color separated 20 liter buckets in black with handle in blue and red
- 2 color separated 8 liter buckets in black with handle in blue and red
- Recycled polymer press in black
- Trash/laundry bag with cover and zipper, included a side pocket
- Storage shelf for mop holder on side



Gross weight: 16,80 kg
Net weight: 14,80 kg

ECO 440 BLACK 440

item no: EB440RC
units: 1 Set



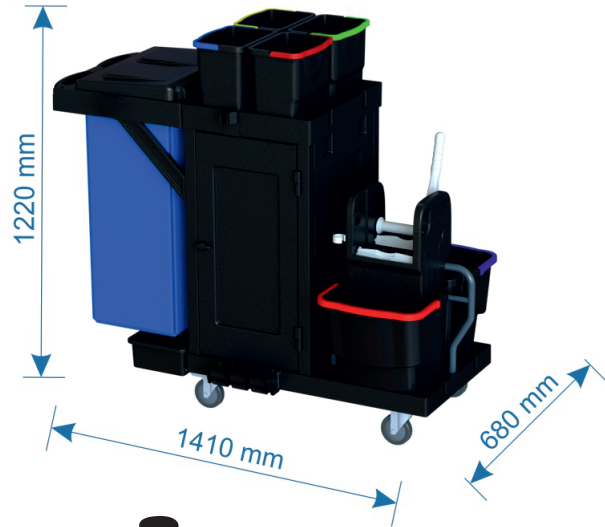
- Black, sturdy recycled polymer frame
- 360° rotating, 4 easy-running wheels
- 2 color-separated 20 liter buckets in black with handles in blue and red
- 4 x 8 liter buckets in black with handles in blue, green, yellow, red
- Recycling polymer press in black
- 1 x plastic tub in black
- Trash/laundry bag with cover incl. shelf for work schedule
- Polymer container in black below the trash/laundry bag
- Storage shelf for mop holder on side



Gross weight: 25,00 kg
Net weight: 22,50 kg

ECO BLACK 450

item no.: EB450RC
units: 1 Set



- Black, stable recycled plastic frame
- 360° rotating, 4 easy-rolling wheels
- 2 color-separated 20 liter buckets in black with handles in blue and red
- 4 x 8 liter buckets in black with handles in blue, green, yellow, red
- Recycled polymer press in black
- 1 x plastic tub in black
- 1 x plastic box in black without lid
- Includes synthetic doors, can be locked manually
- Trash/laundry bag with lid incl. shelf for work schedule
- Polymer container in black below the trash/laundry bag
- Storage shelf for mop holder on side



Gross weight: 32,00 kg
Net weight: 29,50 kg

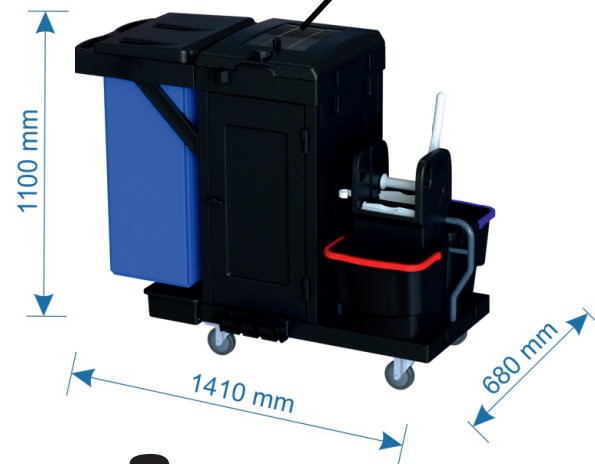
ECO BLACK 550

item no.: EB550RC
units: 1 Set



6 liter bucket in lockable cupboard, optimally stored

Lockable storage for documents or tablet etc.



- Black, robust recycled polymer frame
- 360° rotating, 4 easy-rolling wheels
- 2 color-separated 20 liter buckets in black with handles in blue and red
- 4 x 6 liter buckets in black with handles in blue, green, yellow, red stored inside locker with manually lockable cover
- Recycled polymer press in black
- 1 x plastic tub in black
- 1 x plastic box in black without lid
- Includes synthetic doors, can be locked manually
- Trash/laundry bag with cover incl. shelf for work schedule
- Polymer container in black below the trash/laundry bag
- Storage shelf for mop holder on side



Gross weight: 32,25 kg
Net weight: 29,75 kg